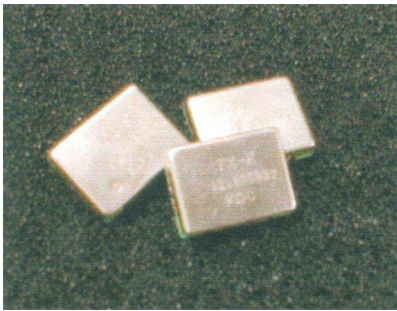


# Temperature Compensated Crystal Oscillators

## G series

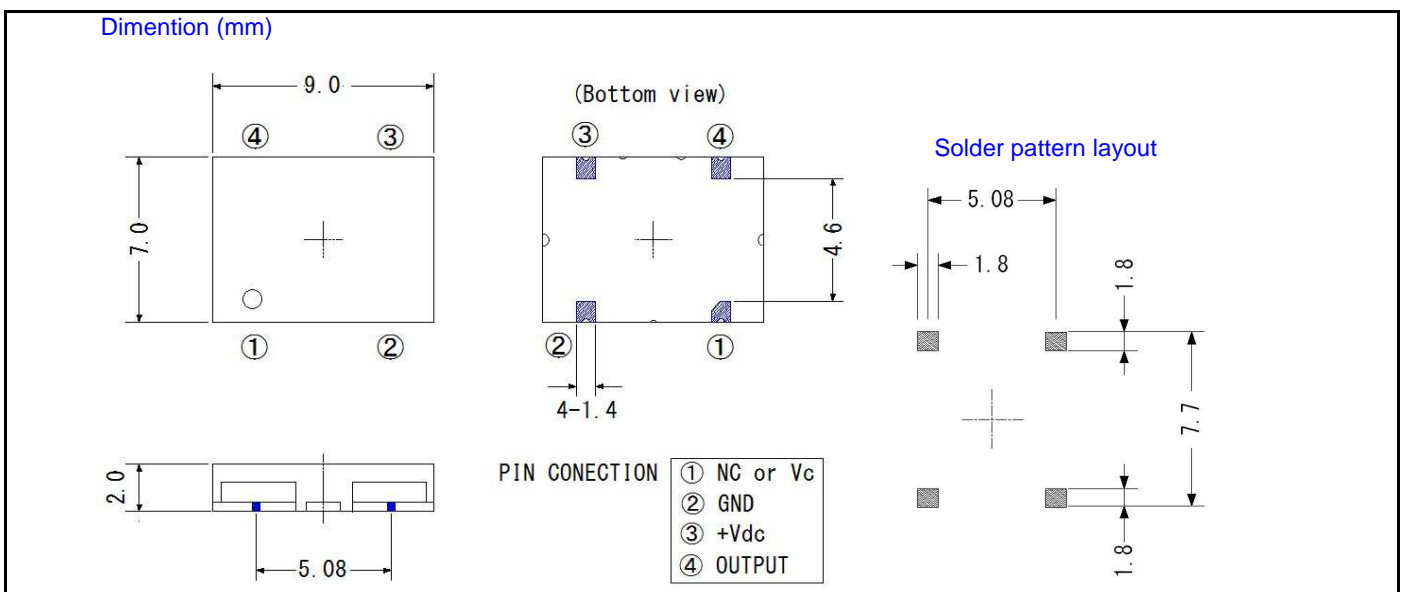


### Features

- Surface mount package
- 4 pad 9x7x2 mm Low Profile
- Optional voltage control function
- RoHS Compliant, Lead Free Construction

Parameters		Electrical Specification
Nominal Frequency Range		10.0~40.0 MHz
Frequency Stability vs Temperature	0°C~50 °C	±0.5 ppm
	-10°C~60 °C	±1.0 ppm
	-20°C~70 °C	±2.0 ppm
	-30°C~75 °C	±2.5 ppm
	-40°C~85 °C	±5.0 ppm
Frequency Stability	vs. Aging	±1.0 ppm / year
	vs. Supply voltage	±0.3 ppm / Vdc ±5%
	vs. Output Load	±0.3 ppm / Load ±10%
	vs. Reflow	±1.0 ppm max. / 1 reflow
Storage Temperature Range		-50°C~95°C
Supply Voltage (Vdc)		3.3V , 5.0V
Supply Current		3mA Max
Output Characteristics	Output Waveform	Clipped Sine
	Output Levels	0.8Vp-p
	Duty Cycle	-
	Load	10kΩ // 10pF
Frequency Control Range (For VC-TCXO)		±5ppm to ±15ppm
Control Voltage Range (For VC-TCXO)		1/2 Vdc ±1.0V
Control Voltage Polarity (For VC-TCXO)		Positive
Phase Noise		-130dBc/Hz max. at 1kHz offset

Please consult our sales representatives for other specifications.



### Kyumor-Tec Co. Ltd.

2-6-15 Ichinomiya Samukawa-machi Kouza-gun Kanagawa Japan 〒253-0111  
Tel:0467-98-0844 Fax:0467-98-0845