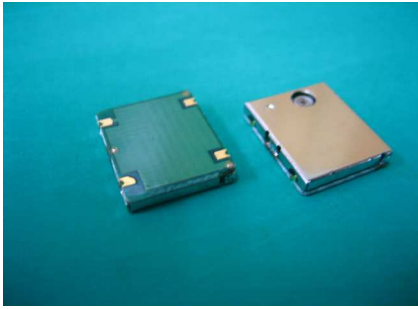


Temperature Compensated Crystal Oscillators

F series

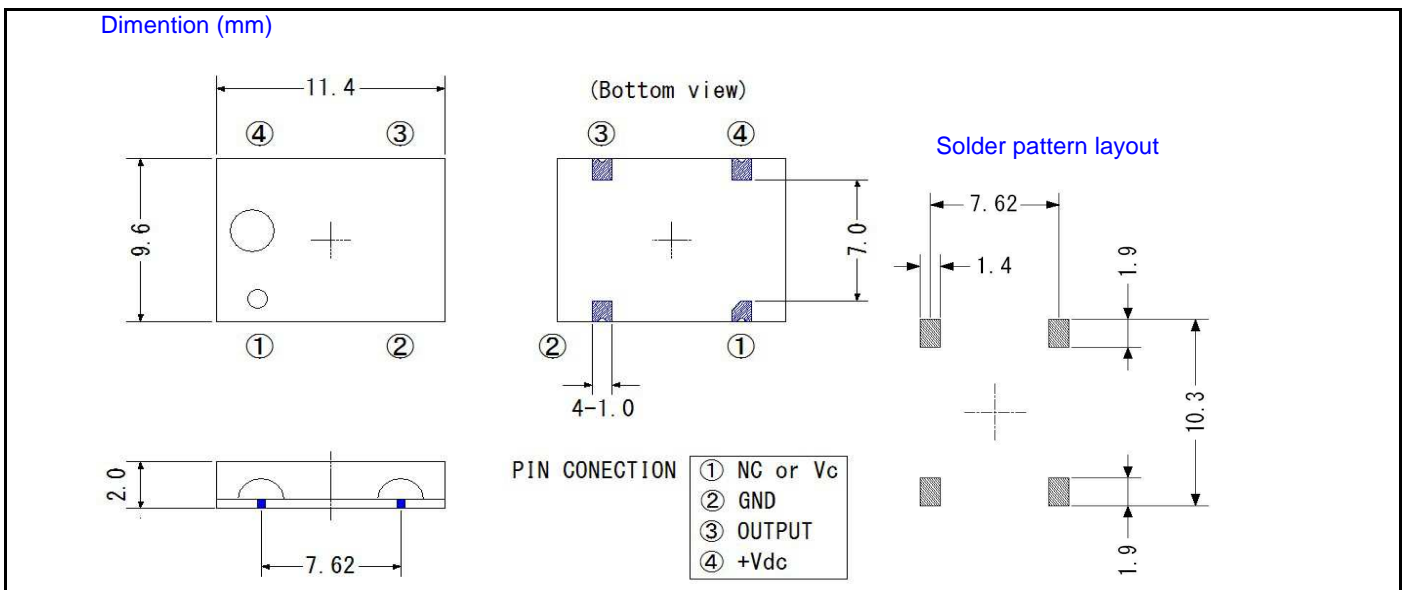


Features

- Surface mount package
- 4 pad 11.4x9.6x2 mm Low Profile
- Optional voltage control function
- RoHS Compliant, Lead Free Construction

Parameters		Electrical Specification	
Nominal Frequency Range		10.0~50.0 MHz	
Frequency Stability vs Temperature	0°C~50 °C	±0.5 ppm	
	-10°C~60 °C	±1.0 ppm	
	-20°C~70 °C	±2.0 ppm	
	-30°C~75 °C	±2.5 ppm	
	-40°C~85 °C	±5.0 ppm	
Frequency Stability	vs. Aging	±1.0 ppm / year	
	vs. Supply voltage	±0.3 ppm / Vdc ±5%	
	vs. Output Load	±0.3 ppm / Load ±10%	
	vs. Reflow	±1.0 ppm max. / 1 reflow	
Storage Temperature Range		-50°C~95°C	
Supply Voltage (Vdc)		3.3V , 5.0V	
Supply Current		25mA Max	3mA Max
Output Characteristics	Output Waveform	CMOS	Clipped Sine
	Output Levels	CMOS	0.8Vp-p
	Duty Cycle	50% ±10%	-
	Load	15pF	10kΩ // 10pF
Frequency Control Range (For VC-TCXO)		±5ppm to ±20ppm	
Control Voltage Range (For VC-TCXO)		1.65V±1.5V or 2.5V±2.0V	
Control Voltage Polarity (For VC-TCXO)		Positive	
Internal Trimmer		Less or Addition	
Phase Noise		-130dBc/Hz max. at 1kHz offset	

Please consult our sales representatives for other specifications.



Kyumor-Tec Co. Ltd.

2-6-15 Ichinomiya Samukawa-machi Kouza-gun Kanagawa Japan 〒253-0111
Tel:0467-98-0844 Fax:0467-98-0845